



PERSHING COUNTY BUILDING DEPARTMENT BUILDING GUIDE

Single Family Residential Uncovered Porch/Deck

Building Guide

Directions

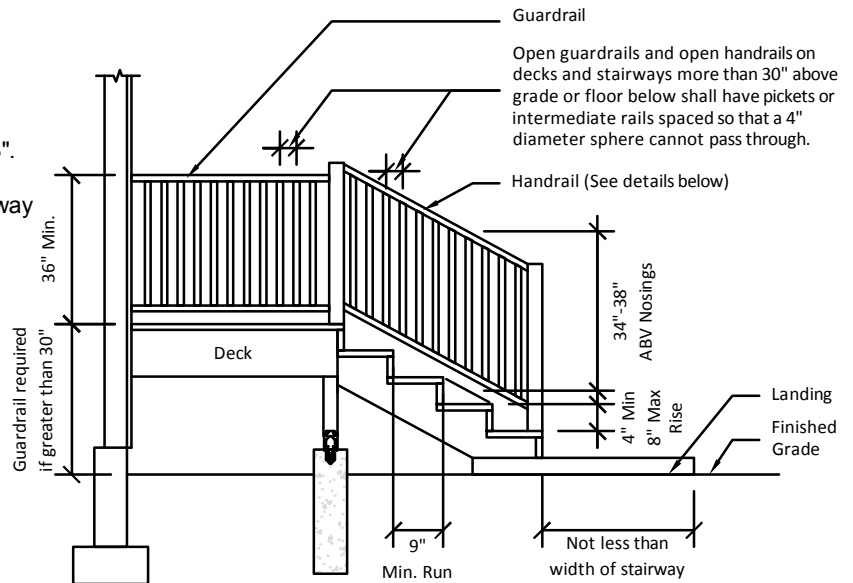
1. Complete this Building Guide by filling in the blanks on page two, indicating which construction details will be used below.
2. Provide a floor plan (site plan) showing dimensions of your project or addition and its relationship to existing buildings or structures on the property, and the distance to existing property lines.
3. Fill out a building permit application.

The majority of permit applications are processed with little delay. The submitted documents will help determine if the project is in compliance with building safety codes, zoning ordinances, and other applicable laws.

Stair Specifications

Notes:

1. Stairways shall be not less than 36" in width.
2. Stairway rises shall be not less than 4" nor greater than 8".
3. Stairway treads shall have a minimum run of 9".
4. The greatest riser height and largest tread run in a stairway shall not exceed the smallest by more than 3/8".

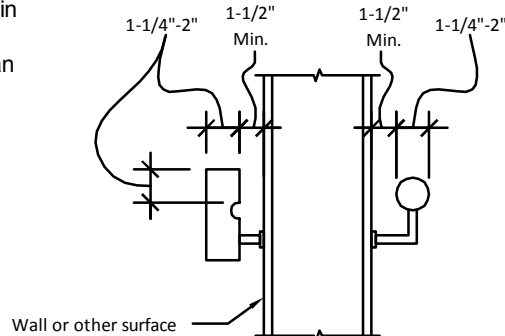


12" Dia. steel anchor bolts 6'-0" O.C. max, 7" min. penetration, max. 12" from corner, and 12" from each end of plate

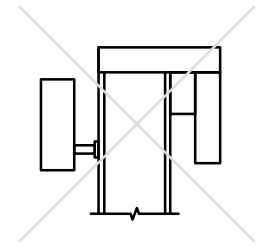
Handrail Specifications

Notes:

1. Handrails shall be continuous on at least one side of the stairs with 4 or more risers.
2. Handrails shall be placed not less than 34" nor more than 38" above stair nosings.
3. The handgrip portion of handrails shall be not less than 1-1/4" nor more than 2" in dimension.
4. Handrails shall be placed not less than 1-1/2" from any wall or other surface.



Acceptable Handrails



Unacceptable Handrails



PERSHING COUNTY BUILDING DEPARTMENT BUILDING GUIDE

Single Family Residential Uncovered Porch/Deck

Deck Section

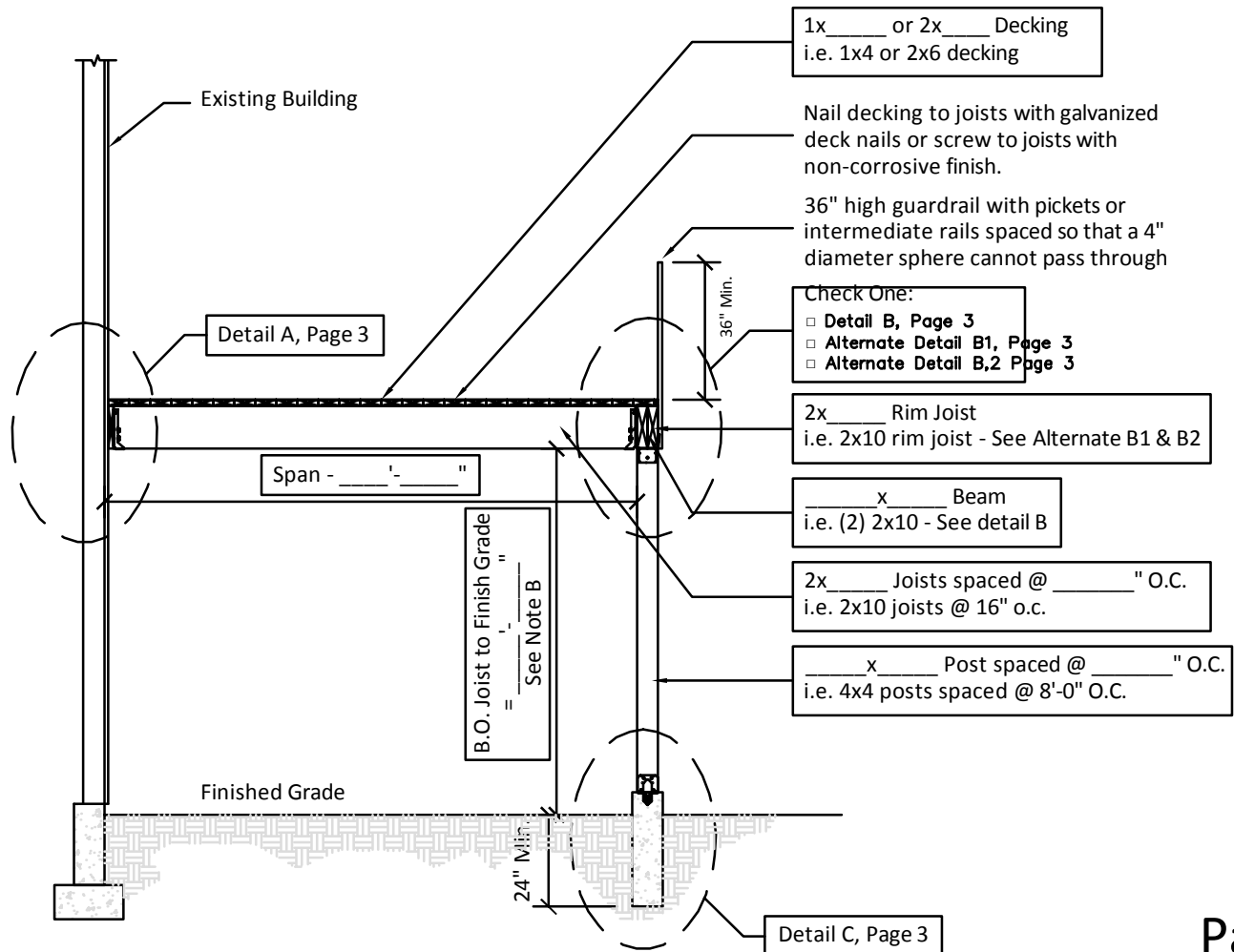
Property Address _____
Permit# _____

Directions

1. Fill in the blanks on pages two with dimension and materials which will be used to build the structure. Please print legibly.
2. Indicate in the check boxes on page three which detail from page 3 will be used.

Notes:

- a. A floor plan (plan view) showing the dimensions of your project or additions and its relationships to existing buildings or structures on the property must be included. In addition to project dimensions, your floor plan must also show other details such as post locations and spacing, joists and beam spans, and any other pertinent information not shown on the section drawing.
- b. If an exit or egress from the existing building passes under the proposed deck, or if there is an existing patio under the proposed deck, a minimum clear headroom of not less than 6'-8" must be maintained under the beam. Please indicate openings in existing wall.

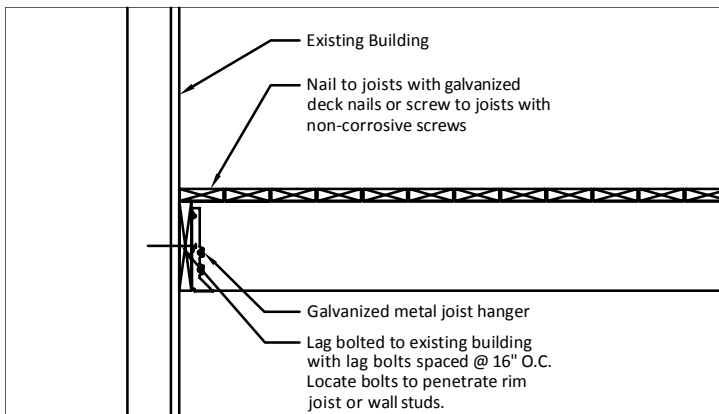




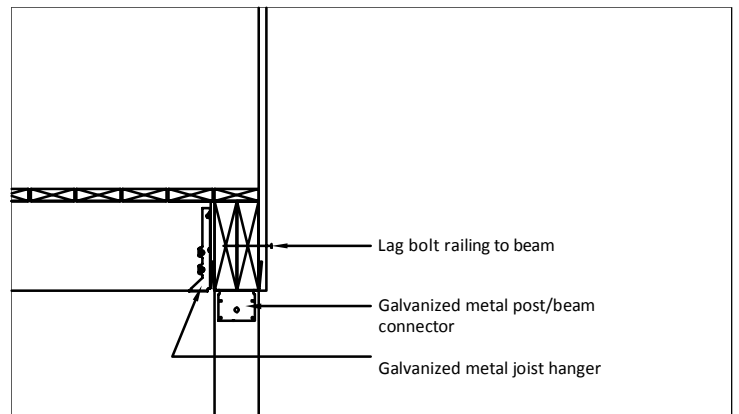
PERSHING COUNTY BUILDING DEPARTMENT BUILDING GUIDE

Single Family Residential Uncovered Porch/Deck

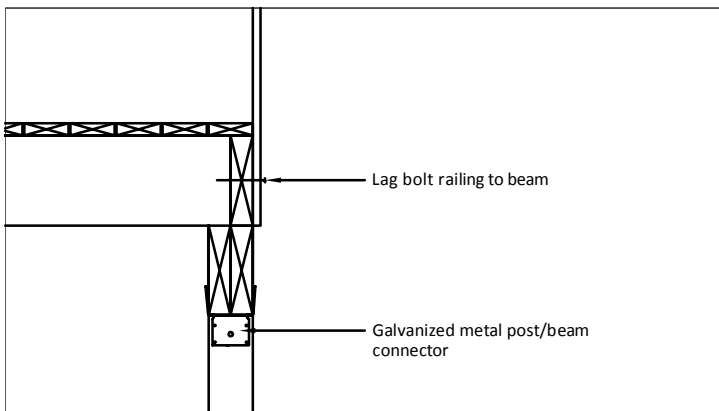
Detail A



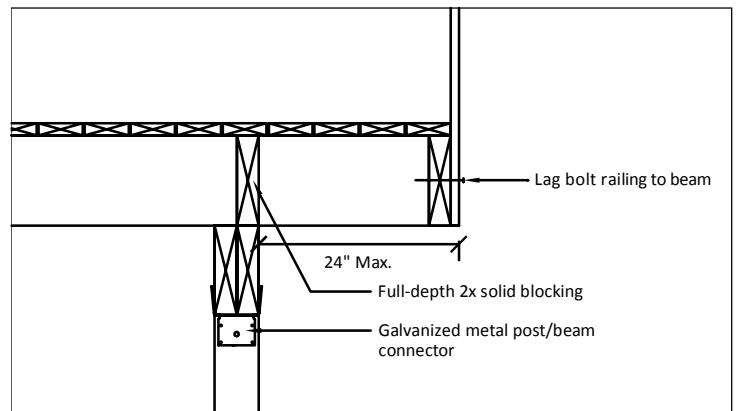
Detail B



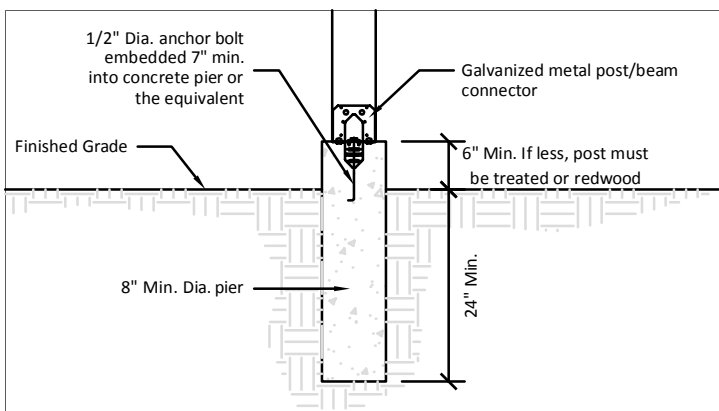
Alternate Detail B1



Alternate Detail B2



Detail C





**PERSHING COUNTY BUILDING
DEPARTMENT BUILDING GUIDE**

Single Family Residential Uncovered Porch/Deck

Porch Floor Plan

Directions

1. Draw the floor plan in the area provided above. Indicate North arrow, the outside dimensions in all directions, and location of existing structures and set backs. Show all inground and above ground utilities within 25' of the new structure.

Project Address: _____

Inspections

Please contact the Pershing County Building Department to have the following phases of construction inspected:

1. Rough in of footings prior to concrete work. _____
Insp. Date
2. Framing and structural work (final) _____
Insp. Date